

EPSON® STYLUS™ PHOTO 1290S

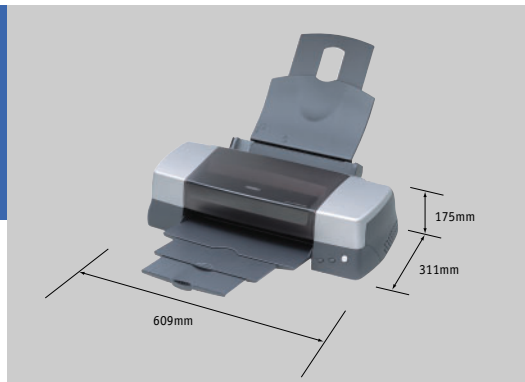
Specifications

MODEL	EPSON STYLUS PHOTO 1290S		
PRINT TECHNOLOGY	EPSON Micro Piezo™ QuickDry™ 6-Colour ink		
PRINT QUALITY	Up to 2880 dpi		
PRINT SPEED	Black A4 text memo (Economy Mode)** 9.4 ppm Colour A4 text memo (Economy Mode)** 9 ppm Photo Bike (4"x6") (Fine)** 51 secs. Photo Bike (8"x10") (Fine)** 108 secs. *See Image Samples		
MEMORY BUFFER	256Kb		
INTERFACE	IEEE 1284 Parallel USB 1.1		
PAPER HANDLING	100 A4 sheets (65gr/m ²) Cut Sheet Feeder 65 sheets of Photo Quality Inkjet Paper 30 sheets of Inkjet Jet Cards 20 sheets of A4 Photo Paper, Matte Paper Heavyweight and ColorLife Paper 10 sheets of A3, Super A3+ Photo Paper 1 sheet of A4, A3, A3+ Premium Glossy/Semi-Gloss Paper 20 sheets 10 x 15 cm Premium Glossy Photo Paper 1 sheet of Transparency 10 envelopes		
PAPER SUPPORT	Paper Size A3+, A3, A4, A5, A6, Letter, B5, Legal, Exclusive, Half Letter Weight (cut sheet) From 64 to 90 g/m and EPSON Supported media (Premium Glossy Photo Paper = 255 g/m) Envelope C6 (114 x 162mm), No 10 (241 x 104mm) & DL (220x110mm) Weight (envelope) From 45 to 75 gr/m ² Maximum Printable Area 329 x 483mm Print Margin 0mm top, left, right and bottom* *Via custom setting in printer driver. Otherwise 3mm top, left, right, 14mm bottom. Also bottom margin can be reduced to 3mm via custom margin settings.		
INK CARTRIDGES	Black T007 Capacity 540 A4 Text Pages at 3.5% coverage Colour 5 Colour Ink Cartridge T009 Capacity 330 A4 Text Pages at 25% (5% for each colour) Example Example for printing the 'Bike image', the colour cartridge T009 will print 59 x 8"x10" photos		
GENERAL	Dimensions(wxdxh) Storage 609 x 311 x 175mm Dimensions(wxdxh) Printing 609 x 766 x 414mm Weight 8.4kg Noise Level 42dBA (per ISO 7779) Power Consumption Pattern 15 Watts (per ISO10561 Letter Pattern)		
OPTIONS	C11C842622 - EPSON Stylus RIP		
REGULATIONS	ENERGY STAR Compliant Directive 89/336/EEC and 73/23/EEC		
OPERATING SYSTEM COMPATIBILITY	Microsoft® Windows® 95/98/ME/NT 4.0/2000/XP Mac OS 8.1-9.x, Mac OS X 10.1 or later		
SYSTEM REQUIREMENTS	CPU	RAM	Free HDD Space
Minimum			
Win95	Pentium	16MB	20MB
Win98	Pentium	16MB	20MB
Win Me	Pentium 150MHz	32MB	20MB
Win NT 4.0	Pentium	16MB	40MB
Win2000	Pentium 133MHz	64MB	40MB
Win XP	Pentium 233MHz	64MB	100MB
Mac OS8.1		15MB (Foreground Printing) 18MB (Background Printing)	15MB
Mac OS X 10.1.0		128MB	15MB
Recommended	CPU	RAM	HDD Space Free
Win95	Pentium 300MHz or higher	64MB or more	50MB or more
Win98	Pentium 300MHz or higher	64MB or more	50MB or more
Win Me	Pentium 300MHz or higher	64MB or more	50MB or more
Win NT 4.0	Pentium 300MHz or higher	64MB or more	100MB or more
Win2000	Pentium 300MHz or higher	64MB or more	100MB or more
Win XP	Pentium 300MHz or higher	128MB or more	100MB or more
Mac OS9.1 or later		30MB (Foreground Printing) 50MB (Background Printing)	15MB
Mac OS X 10.1.3 or later		256MB or more	15MB
	Please note that not all the applications supplied with this product are Mac OS X Native Mode Compatible.		
WARRANTY	1 year call-out as standard. Optional upgrade to 3 years call-out		

EPSON Lightfast Test Conditions

Light source: Fluorescent light
 Intensity: 70,000 lux
 Temperature: 24°C
 Humidity: 60%RH
 Glass mount: 2mm, soda lime
 Fade criteria: Pure YMC 30% Loss at 00=1
 Display-life Calculation: Total illuminance/(500 lux x 10 hours x 365 days = 1 year)

*The data is calculated by EPSON's accelerated test and it does not mean EPSON guarantee periods. Test developed and conducted by EPSON for photos on Indoor Display Condition.



A4 Black Text memo**
 A4 Colour Text memo**
 4x6", 8x10" Photo ('Bike' sample)**

** Illustration of 'Bike' image used for photo speeds.

Print Speeds Note:

Print times will vary depending on computer configuration, print setting, application, coverage and page complexity. The print times shown in this brochure are the average time for multiple prints of the same page over one minute. Times are measured from the 'Print' command to the delivery of the page in the tray. The speeds were achieved using the following system: 200MHz Pentium PC, 64MB RAM, 2GB HDD, Windows 95 or 98.

EPSON (UK) Ltd
 Campus 100, Maylands Avenue,
 Hemel Hempstead, Hertfordshire HP2 7TJ
 United Kingdom
 Telephone: +44 (0) 1442 261144
 Fax: +44 (0) 1442 227227
 E-mail: info@epson.co.uk

Home Page: www.epson.co.uk

For product support, call the EPSON Customer Support Hotline on 08701 637766
 For Ireland, call 01 679 9016

ISO 14001 BVQI Certification Number 80679



EPSON® STYLUS™ PHOTO 1290S



A3+



Superb Quality, Versatile A3+ Photo Printer

- The perfect introduction to larger format photo printing
- Exceptional print quality with EPSON QuickDry™ 6 colour inks
- Prints perfect border-free photos on paper sizes from 100 x 150mm to A3+
- Includes easy-to-use EPSON print software and Adobe® Photoshop Elements 2.0†
- Roll paper holder for creative panoramic photo formats
- Great print speeds – up to 9 pages per minute A4

EPSON[®] STYLUS[™] PHOTO 1290S

Introducing superb quality A3+ photo printing

Let EPSON introduce you to the EPSON Stylus PHOTO 1290S and the world of larger format digital photo production. Photo printing with EPSON gives such great results and is so flexible... you'll wonder how you ever managed without it.

What Are You Waiting For?

For all serious amateur photographers who long for the freedom of the virtual digital darkroom, EPSON is here to broaden your horizons. The EPSON Stylus PHOTO 1290S is the perfect introduction to first-class 6 colour, A3+ digital photo printing. By using a whole host of

EPSON Stylus Photo technologies it produces perfect photo quality prints and enlargements that, on special EPSON photo media, can last up to 25 years*. The EPSON Stylus PHOTO 1290S is an affordable photo production system that gives you beautiful quality, larger format prints.



Superb Quality and Versatility

Whatever you require, the EPSON Stylus PHOTO 1290S delivers it. From 100x150mm photo prints and A3+ enlargements (with either high gloss or matte finishes), to contact sheets and oversized A3 prints with full bleed, it's just like having your own photo lab right there on the desktop! Plus, EPSON has a widely available choice of media formats and finishes specially designed for the EPSON Stylus PHOTO 1290S providing everything you need to create stunning looking prints.

EPSON's Ultra Micro Dot[™] ink system, with its unique Variable-sized Droplet Technology[™] and the virtually invisible 4 picolitre ink droplet, helps achieve extremely high definition photos and an overall 2880dpi print quality. By using EPSON photo media your prints will look and feel so much like silver halide prints that you'll be hard pushed to tell them apart.

What's more, because it uses an expanded 6 colour ink set, the range of possible colours and shades is virtually limitless, resulting in perfect photo prints with vibrant colours and reduced graininess.



*See Lightfast test conditions on reverse

Put Yourself in Control

You don't have to be a reprographics expert to get the best out of the EPSON Stylus PHOTO 1290S. Bundled with Adobe[®] Photoshop Elements 2.0¹ software, you have everything you need to get started. Based on the classic Adobe[®] Photoshop technology and interface, Adobe[®] Photoshop Elements 2.0 makes powerful and complicated digital image editing simple and easy for all photo enthusiasts and amateur photographers.

You can now quickly and easily create, edit and fix your photos for printing, emailing or web uses. Just let Adobe[®] Photoshop Elements 2.0 guide you through with its comprehensive help functions, tutorials and Inspirational Recipes, which give step-by-step instructions for complex editing procedures. You have the freedom to experiment with a wide variety of features and techniques. Indeed, there are so many useful and accessible features that from now on every photo you print will be perfect.



Features & Benefits

- Beautiful colour vibrancy with expanded 6 colour ink set
- Perfect alternative to silver halide printing with up to 25 years print life*
- Flexible photo formats from 100 x 150mm to A3+
- Outstanding results with EPSON QuickDry[™] 6 colour inks
- No need for manual cropping with border-free printing up to A3+
- Special panoramic photo formats with roll paper holder
- Convenient ink changing with EPSON Intellidige cartridges
- Includes Adobe[®] Photoshop Elements 2.0¹ software for comprehensive photo editing
- Faithful prints from digital cameras with EPSON P.I.M.[™] technology

¹Special promotional packs only

Save Time With Every Print

The EPSON Stylus PHOTO 1290S gives you total control, print what you need when you need it, quickly and easily, saving you time and money. At an affordable price, the EPSON Stylus PHOTO 1290S makes switching to digital photo printing a sensible move. You'll be amazed at what you can achieve – perfect border-free photo prints on media sizes from 100 x 150mm to A3+ photos, or by using roll

media up to 330mm wide, create huge banner enlargements and other unique continuous prints, such as montages or landscape panoramas, all with the same stunning quality.